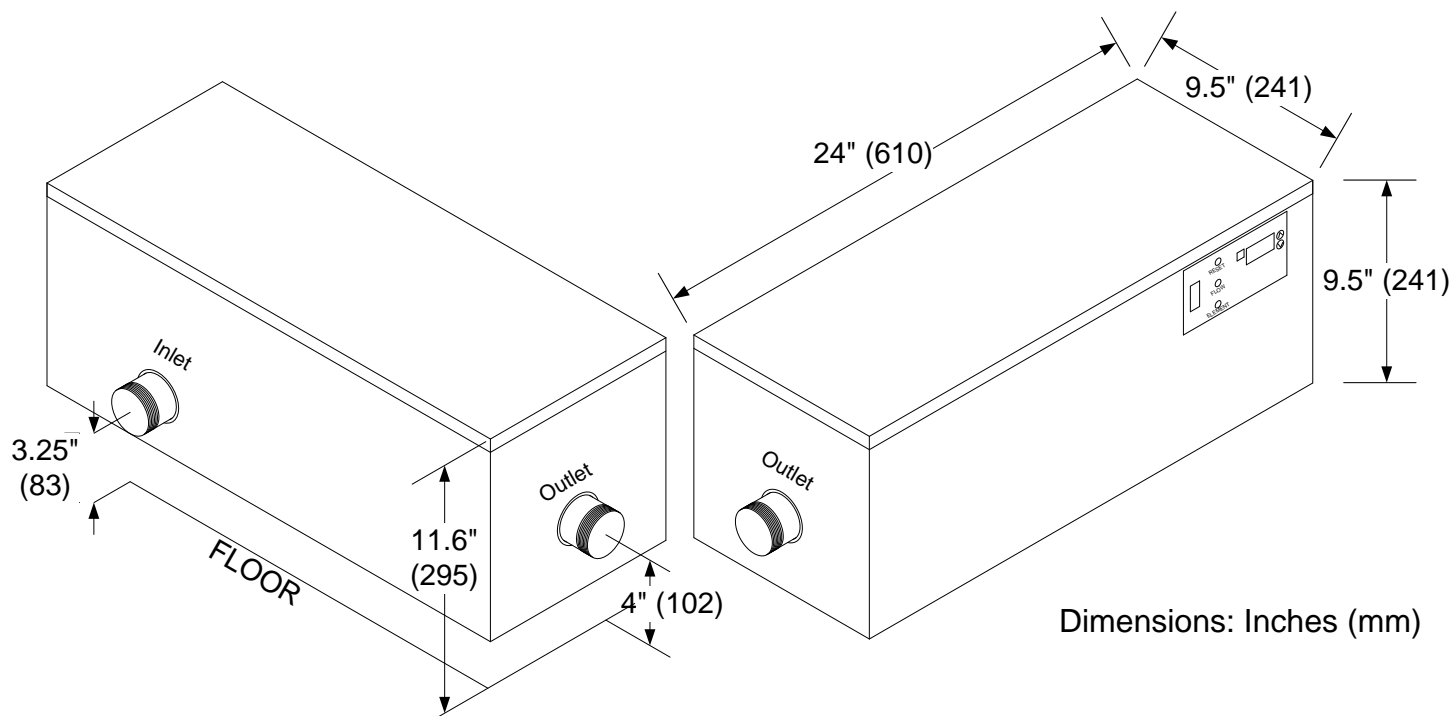




TR

COATES HEATER CO. INC.
 P.O BOX 1750
 KENT, WA 98035
 Phone (253) 872-7256
 Fax (253) 859-4660



Dimensions: Inches (mm)

MINIMUM CLEARANCES

Front	Left	Right	Top	Back
36**	4	4	20	*Plumbing
(914)	(102)	(102)	(508)	

- INLET/OUTLET 1 ½ " (38mm) NPT
- MINIMUM FLOW RATE 20 GPM
- MAXIMUM FLOW RATE 80 GPM

*Required clearance is based on plumbing configuration used.

**Refer to NEC Table 110.26 (A)(1)

MODEL	PHASE	VOLTS	KW	AMPS	BREAKER	WIRE/ 75°C	SHIP WT.
12412TR	1	240	12	50	70	#4	45 lbs. (20.5 kg)
12415TR	1	240	15	63	80	#4	45 lbs. (20.5 kg)
12418TR	1	240	18	75	100	#3	45 lbs. (20.5 kg)
32012TR	3	208	12	34	45	#8	44 lbs. (20 kg)
32015TR	3	208	15	42	60	#6	44 lbs. (20 kg)
32018TR	3	208	18	48	70	#4	44 lbs. (20. kg)
32412TR	3	240	12	29	40	#8	44 lbs. (20 kg)
32415TR	3	240	15	37	50	#8	44 lbs. (20 kg)
32418TR	3	240	18	44	60	#6	44 lbs. (20 kg)
34812TR	3	480	12	15	20	#12	45 lbs. (20.5 kg)
34815TR	3	480	15	19	25	#10	45 lbs. (20.5 kg)
34818TR	3	480	18	22	30	#10	45 lbs. (20.5 kg)
36012TR	3	600	12	12	15	#12	45 lbs. (20.5 kg)
36015TR	3	600	15	15	20	#12	45 lbs. (20.5 kg)
36018TR	3	600	18	18	25	#10	45 lbs. (20.5 kg)